

Pouch Formats



CSDP

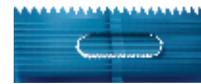


CSGP



Chain of Pouches

Seal Patterns



Broad seal with D cut



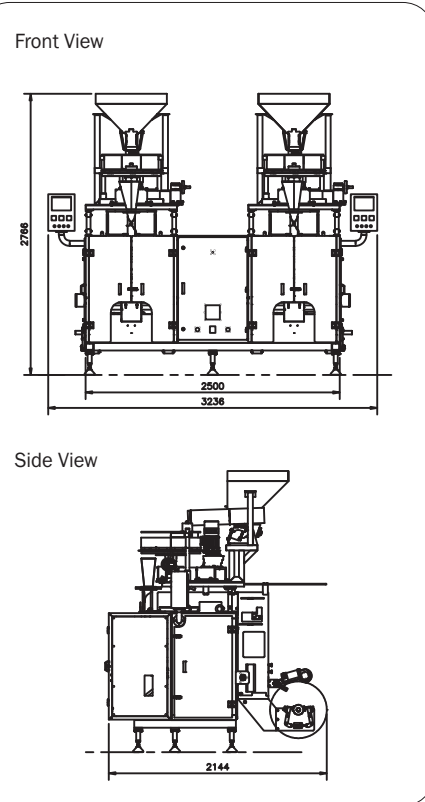
Euro slot



V notch



V serrated edge



NICHROME INDIA LTD. Safire Park Galleria, 4, Pune-Mumbai Road, Shivajinagar, Pune - 411 005, India
 Tel.: +91 - 20 - 6601 1001 Fax: +91 - 20 - 6601 1010 E-mail: marketing@nichrome.com www.nichrome.com
 Service Centres & Offices at: Delhi | Kolkata | Mumbai | Bangalore | Hyderabad | Chennai | Ahmedabad
 ASEAN | MIDDLE EAST | SAARC | CIS | AFRICA | USA

Packaging Solutions For • Liquid • Grains • Powders • Seeds • Snacks • Pharma • Personal Care

Nichrome's
Namkeen
 PACKAGING MACHINE
Pack

Packaging Solutions for
INDIAN NAMKEEN

www.nichrome.com

An ISO 9001:2008 and ISO 22000:2005 Certified Company





Packaging Solutions for **INDIAN NAMKEEN**

Salient Features

- High-speed machine especially designed for Indian Namkeens. 100 packs per minute for Single Head and 200 packs per minute for Double Head machine
- Servo controlled machine with ballooning of pouch
- Low machine height for highest speeds
- Specially designed automatic “Slice & Splice” technology for quick and easy tool-less changeover of size parts
- ‘Hygienic’ construction of machine compliant as per HACCP & GMP standards. Audited by DNV under ISO 22000 food safety global standards
- High speed continuous motion “roto-disk” filler
- Continuous feeding through specially Designed Vibro Feeder

Filler

Technical specifications

- Rated system Output (max. up to) : 100 packs per min per head
- Quantity : Max. upto 500g (Namkeen products)
- Pouch Formats : Center Sealed Pillow Pouch, Center Sealed Gusset Pouch, Chain of pouches
- Packaging Material : Heat Sealable Laminate
- Min. Pouch Size (WxL) mm (approx.): 60 mm x 80 mm
- Max. Pouch Size (WxL) mm (approx.): 250 mm x 300 mm
- Maximum Roll Diameter : 600 mm
- Supply Voltage : 415 V-AC, 3 Phase, 50 Hz
- Connected Electrical Load : 8 kW
- Air Consumption : 10 cubic meter /hr @ 6 bar
- Machine (Bagger) : 1350 mm x 2600 mm x 2000 mm
Dimensions mm (W x D x H) approx.

Optional Accessories

- Pouch Take Up Conveyor • Material Handling System for product feeding • Nitrogen Flushing Facility • Date and Batch coding facility • Splicing Attachment • Easy tear off pouch cutting edge • Logo embossing on seal



Applications

Namkeen specialties around India

- Bhavnagari Shev
- Bombay Mixture
- Bikaner Bhujija
- Chanachur
- Indori Farsan
- Madras Mixture
- Khaman Mixture
- Manglori Mix
- Sangli Bhandag
- Masala Sing
- Ratlami Sev
- Dal Sev
- Kashmiri Mixture

All time favorite

- Moong Dal
- Chana Dal
- Namkeen Mixture
- Aloo Bhujia
- Fried Peanuts
- Fried Peas
- Khatta Meetha
- Upwas Chivda
- Navratana Chiwada
- Chat Mixture
- All in one
- Farsan mix & many more...



NICHROME | Namkeen Pack

