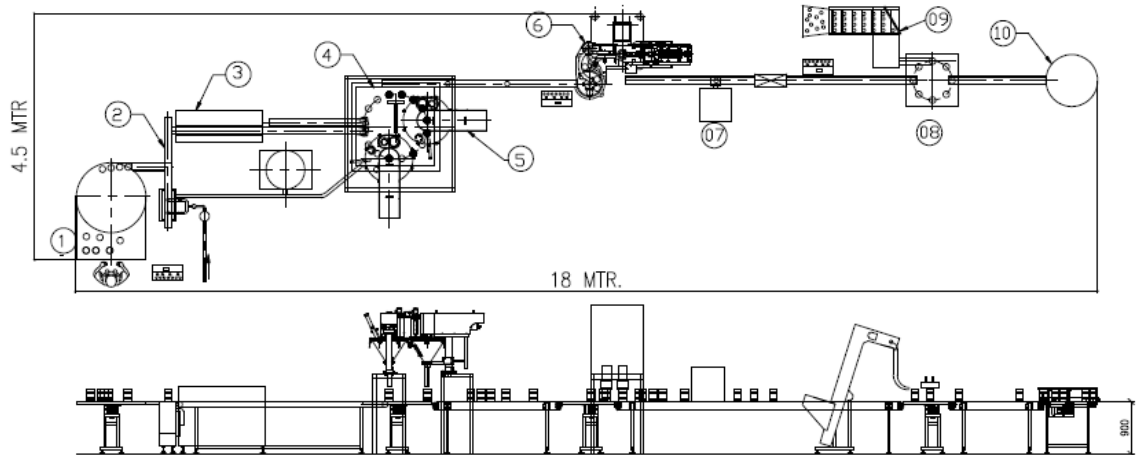


# TIN FILLING LINE



## KEY FEATURES

- NO TIN NO FILLING SAFTY DEVICE.
- AUTO LID FEEDING, PLACING & LID SEAMING.
- METAL TIN / COMPOSITE TIN FRIENDLY LINE.
- MACHINE CONSTRUCTION AVAILABLE IN SS304 , SS316 & M.S PAINTED
- PLC CONTROLLED LINE.
- FAST CHANGEOVER DESIGN FOR DIFFERENT SIZE OF BOTTLE.
- DIGITAL LCD TOUCH SCREEN DISPLAYING & SETTING.
- SAFETY ENCLOSURES WITH INTERLOCKS FOR ROTARY PARTS.
- VARIOUS TIN STERILIZATION AND CLEANING OPTIONS AVAILABLE



SR.NO.	ITEM DESCRIPTION	QTY
1	Turn Table for empty tins	1
2	Inverted Tin Cleaning Machine	1
3	U V Chamber	1
4	Dial Indexing Unit for Twin Tin Filling	1
5	Servo auger Filler	2
6	Seamer	1
7	Date batch coding system	1
8	Capping Machine (Lid Pressing unit)	1
9	Cap elevator with storage silo	1
10	Turn table (Filled tins)	1

### Tin Filling Product Range:

PRODUCT	FILLER	SKU	SPEED	FLOOR SPACE
MILK POWDER, PROTINE POWDER, CHOCOLATE POWDER, PHARMA POWDERS, COFFEE, BLENDED SPICE POWDERS, PREMIX, NUTRI POWDER, SEASONING POWDER, SUGAR FREE	AUGER FILLER	50 GMS TO 1000 GMS	UP TO 100 BPM	4.5 MTRS WIDE X 18 MTRS LONG X 3 MTRS HEIGHT
TEA POWDER, DETERGRNT POWDER, PANMASALA, PULSES, RICE, SUGAR, SEASONING, SALT	CUP FILLER	50 GMS TO 1000 GMS	UP TO 100 BPM	4.5 MTRS X 18 MTRS X 3 MTRS HEIGHT
TEA POWDER, PULSES, RICE, WRAPPED CANDIES, DRYFRUITES, TABLETS, WHOLE SPICES, SOYA CHUNKS, SEASONING MIX, SUGAR FREE TABLETS	MULTI HEAD WEIGHER	50 GMS TO 1000 GMS	UP TO 100 BPM	4.5 MTRS X 20 MTRS X 4 MTRS HEIGHT
TEA POWDER, PULSES, RICE, SUGAR, WHOLE SPICES	ELECTRONIC WEIGH FILLER	50 GMS TO 1000 GMS	UP TO 100 BPM	4.5 MTRS X 20 MTRS X 4 MTRS HEIGHT

SPECIFICATION	DIAMETER		HEIGHT	
	MIN.	MAX.	MIN.	MAX.
TIN	Ø 55mm	Ø 175 mm	65 mm	300 mm

