



## Multilane Stickpack



**NICHROME**

## Multilane Stickpack with Multi-Piston Filler

- For Viscous/Liquid Products
- For Food Chains and Hospitality Industry
- CE Compliant



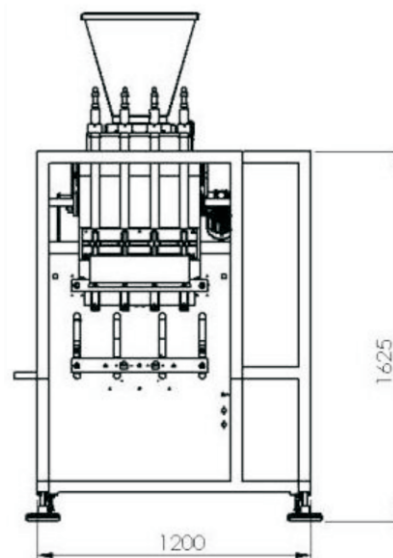
**NICHROME**  
Packaging Solutions

An ISO 9001:2008 and ISO 22000:2005 Certified Company

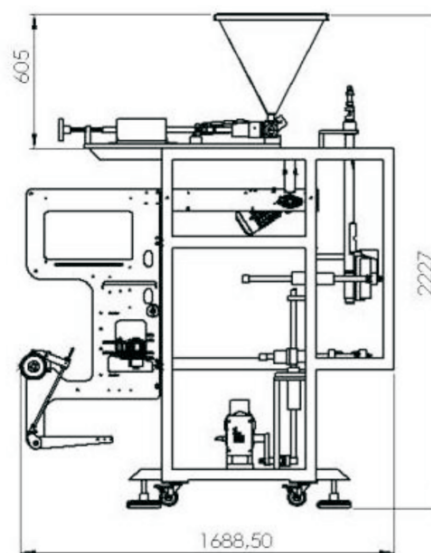
[www.nichrome.com](http://www.nichrome.com)

## Technical Specifications

Pack Style/Format	Centre seal stickpack
No. of Lanes	3, 4, 5, 6 lanes
Quantity	5 ml ~ 30 ml
Capacity	90 ~ 240 sticks/min
Packing Material	Heat sealable laminate films
Pack Size Range	30 ~ 35 W (fixed/dedicated) & 50 ~ 170 mm L (Adjustable)
Maximum Roll Width	480 mm max
Maximum Roll Diameter	400 mm
Air Consumption	6 bar, 300 litres/min
Electrical Supply	Stabilised 415 VAC, 3 phase, 4 wire, 50 Hz, 3 KWH
Overall Machine Dimension	1200 mm W x 1700 mm D x 2230 mm H
Weight of the Machine (approx)	500 kg



FRONT VIEW



SIDE VIEW

## Multilane Stickpack Bagger

- Machine structure in Stainless Steel
- Equipped with CE certified PLC controller
- Pneumatically operated bag length control with table draw-off system
- Pneumatically operated longitudinal and cross sealing jaw assemblies suitable for laminates
- Built in forming size parts suitable for dedicated quantity for each lane
- Equipped with print mark registration unit for use of panel printed films
- PID temperature controllers suitable for constant sealing system
- Built in safety door guards with machine off interlock
- Various options of date batch coding units

## Volumetric Piston Filler

- Pneumatically operated piston filler
- Adjustable product volume for dedicated single range

## Applications

Honey, Ghee, Ketchup, Olive Oil, Mayonnaise, Mustard Paste, Jam, Water, Shampoo

## Pouch Formats

Centre Seal Stickpack



**NICHROME**  
Packaging Solutions

**NICHROME INDIA LTD.** Safire Park Galleria, 4, Pune-Mumbai Road, Shivajinagar, Pune – 411 005, India  
Tel.: +91 - 20 - 6601 1001 Fax: +91 - 20 - 6601 1010 E-mail: marketing@nichrome.com [www.nichrome.com](http://www.nichrome.com)  
Service Centres & Offices at: Delhi | Kolkata | Mumbai | Bangalore | Hyderabad | Chennai | Ahmedabad | Chandigarh | Kanpur  
ASEAN | MIDDLE EAST | SAARC | CIS | AFRICA | USA

Packaging Solutions For • Liquids • Grains • Powders • Seeds • Snacks • Pharma • Personal Care