



V F F S



NICHROME

VERTIPACK 320

- High Speed
- Zipper Attachment
- Multiple Pouch Format



NICHROME
Packaging Solutions

An ISO 9001:2008 and ISO 22000:2005 Certified Company

www.nichrome.com

- Produces standee pouches with or without zipper.
- Flexibility to pack products in variety of pouch formats in short changeover.
- Produces pouches on one side/both side heat sealable packing material.
- Sturdy & versatile design.
- Pneumatically operated horizontal & vertical sealing system.
- Servo motor driven belt draw-off for paper pulling.
- Built in safety door guards with machine off interlock.
- Use of AC geared motor with VFD for paper & zip unwind.
- Optimized paper path.
- Aesthetically improved machine ensuring safety.
- Less operational cost due to reduced space, manpower & energy consumption.

Pouch Formats



Compatible fillers

Servo auger filler, MHW, Combifiller, EWF, Cup filler

Technical Specifications

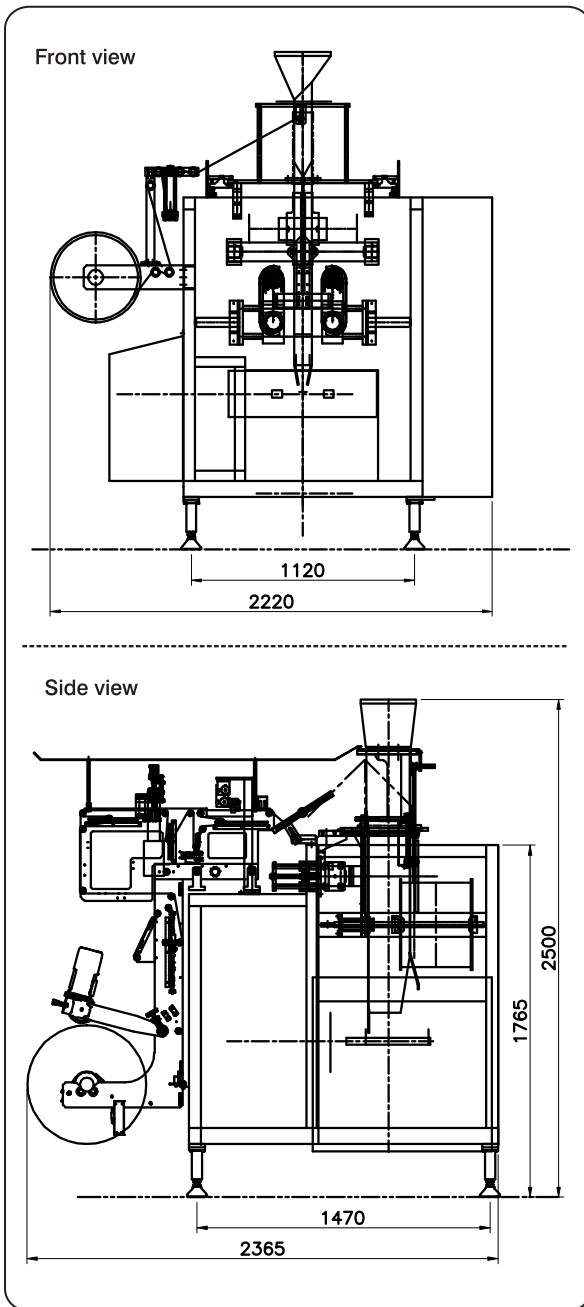
Pack Style:	Standee, CSPP, CSGP, TSS, Quad Seal, Penta
Pack Size Standee:	100 mm (W) X 140 mm (L) X 52 (g) minimum 250 mm (W) X 320 mm (L) X 100 (g) maximum
Pack Size CSPP/CSGP:	100 mm (W) X 160 mm (L) minimum 320 mm (W) X 480 mm (L) maximum
Pack Size Penta/Quad:	120 mm (W) X 180 mm (L) X 62 (g) minimum 210 mm (W) X 320 mm (L) X 100 (g) maximum
Packing Material:	PET Poly/MET PET Poly/Both side sealable
Film Thickness:	70 micron min. - 180 micron max.
Max Roll Weight:	50 kg
Bagger Packing Speed:	45-55 ppm
Air Consumption:	23 CFM at 6 bar
Overall Machine Dim. :	2220 mm (w) X 2365 mm (d) X 2500 mm (h)
Pack Volume Range:	100cc min. - 2500 cc max.
Weight of the Machine:	1500 kg (approx.)
Electrical Connected Load:	7 kW
Electrical Consumption:	5 kW (Approx.)

Optional Accessories

- Print mark scanner
- Date batch coder
- Inert gas flushing
- On line check weigher & metal detector
- Provision for zipper application
- Pouch take up conveyor
- Product feed conveyor
- Pin prick assembly
- Provision for bottom flap folding
- Platform for filler
- Manual dump arrangement with foot switch

Applications

Dry Fruits, Pasta, Snacks, Confectionaries, Indian Namkeens, Grains, Pulses, Sugar, Powdery Products,



www.intericsdesigns.com

September 2018



NICHROME
Packaging Solutions

NICHROME INDIA LTD. Safire Park Galleria, 4, Pune-Mumbai Road, Shivajinagar, Pune – 411 005, India
Tel.: +91 - 20 - 6601 1001 Fax: +91 - 20 - 6601 1010 E-mail: marketing@nichrome.com www.nichrome.com

Service Centres & Offices at: Delhi | Kolkata | Mumbai | Bangalore | Hyderabad | Chennai | Ahmedabad | Chandigarh | Kanpur
ASEAN | MIDDLE EAST | SAARC | RUSSIAN FEDERATION & CIS | AFRICA | USA

Packaging Solutions For • Liquids • Grains • Powders • Seeds • Snacks • Pharma • Personal Care